

---

## **Knox Locker (50-LK1D)**

Assembly Instructions

# Knox Locker (50-LK1D)

## Components List



30 x 6x35mm  
Cam Bolt

C1



38 x 4x16mm  
Screw

S1



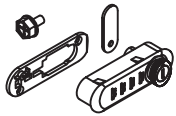
36 x 8x30mm  
Dowel Pin

D1



30 x 5/8"  
Cam Cover

C2



1pc Lock

L1



1pc Lock  
Catch

L2



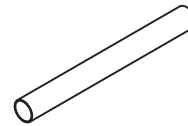
4pcs Hinge

H1



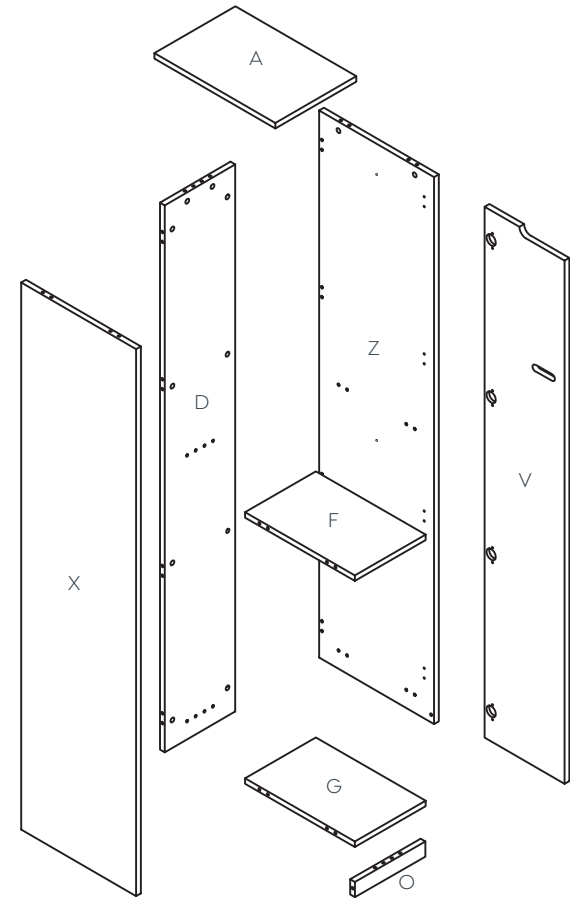
4pcs Clothes  
Holder

H2

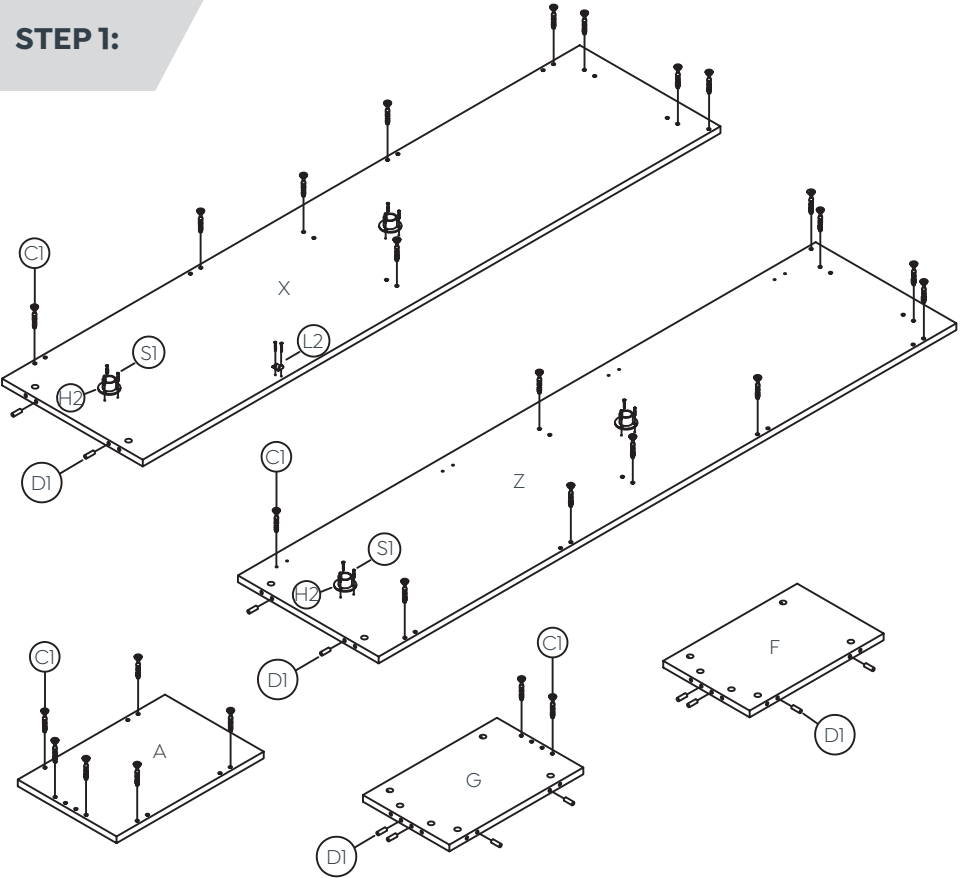


2pcs Clothes  
Hanger

H3



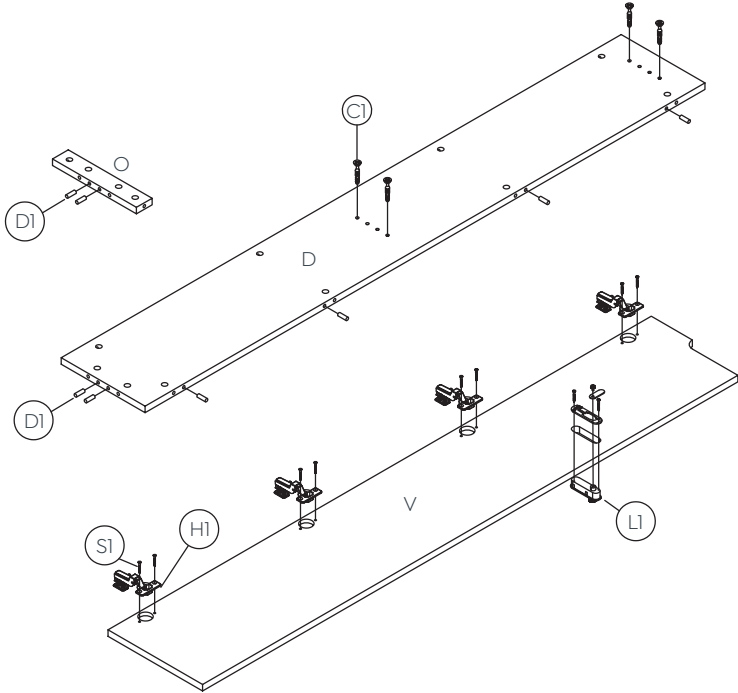
### STEP 1:



#### Preparation for panels X, Z, F, A, G.

1. Insert cam bolts C1 into panels X, Z, A and G as illustrated above.
2. Insert dowel pins D1 into panels F, X, Z and G as illustrated above.
3. Fix lock catch L2 to panel X with screw S1 as illustrated above.
4. Fix clothes holder H2 to panel X and Z with screw S1 as illustrated above.

### STEP 2:



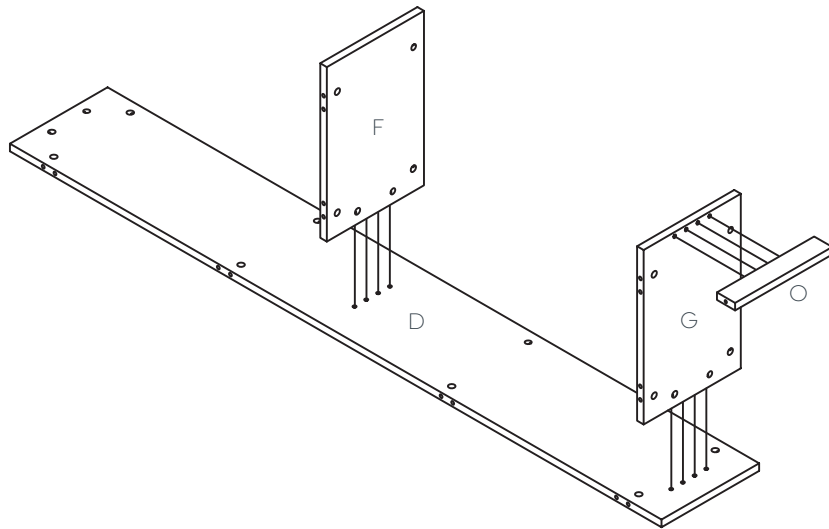
#### Preparation for panels V, O, D.

1. Insert cam bolts C1 into panels D as illustrated above.
2. Insert dowel pins D1 into panels D and O as illustrated above.
3. Fix lock L1 to panel V with screw 3.5x20 as illustrated above.
4. Fix hinge bodies H1 to panel V with screws S1 as illustrated above.

# Knox Locker (50-LK1D)

## Assembly Instructions

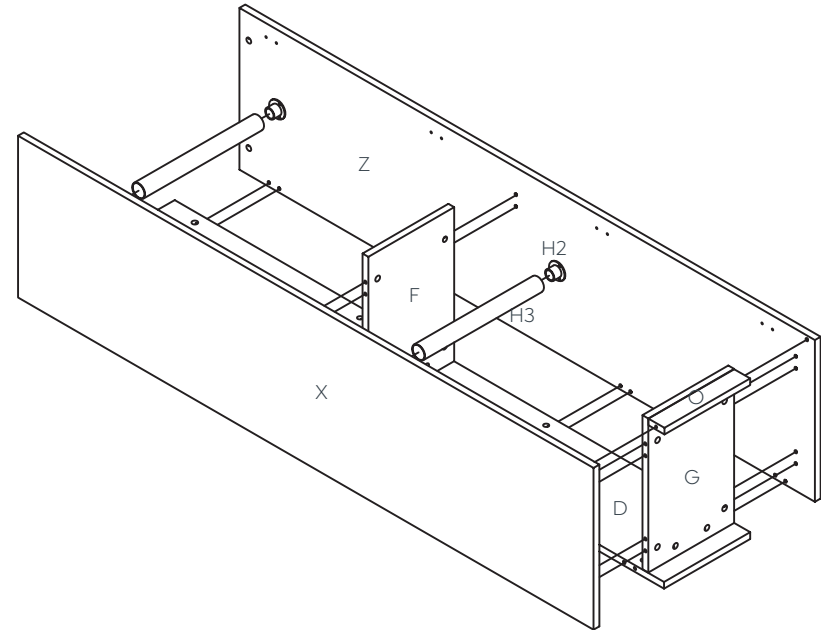
### STEP 3:



#### Panels O, F, G and D assembly.

1. Insert cam bolt C1 on panel O into cams on panels G and tighten in a clockwise direction as illustrated above.
2. Insert cam bolt C1 on panel F and G into cams on panel D and tighten in a clockwise direction as illustrated above.

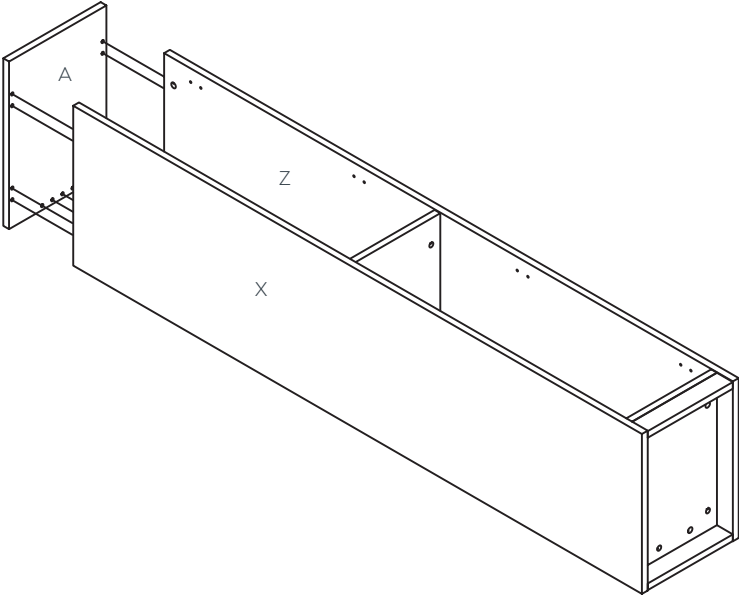
### STEP 4:



#### Panels X and Z assembly.

1. Insert cam bolt C1 on panel X and Z into cams on panels O, G, F and D and tighten in a clockwise direction as illustrated above.
2. Put the clothes hanger H3 into the clothes holder H2 as illustrated above.

**STEP 5:**



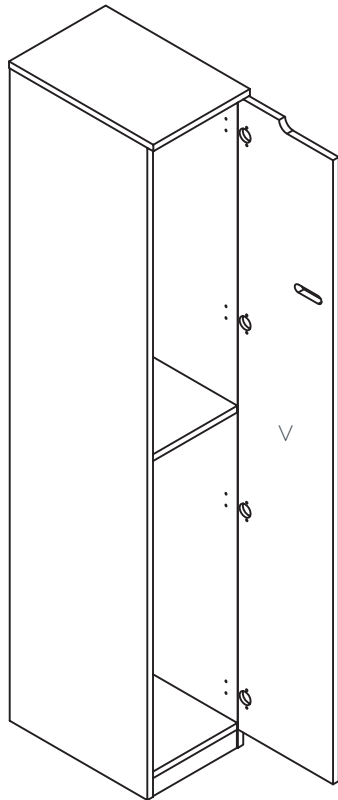
**Panel A assembly.**

- 1. Insert cam bolts C1 on panel A into cams on panels X, Z and D and tighten in a clockwise direction as illustrated above.

# Knox Locker (50-LK1D)

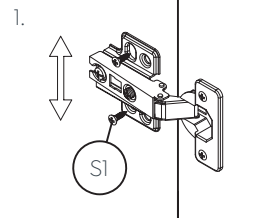
## Assembly Instructions

### STEP 6:

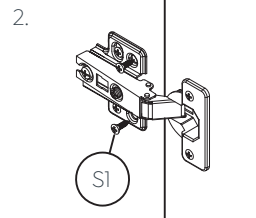


#### Door Panel V allocate with Hinge H1 assembly

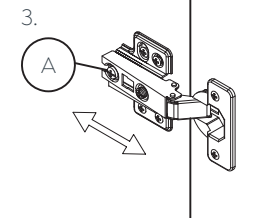
Hinge assembly details as below:



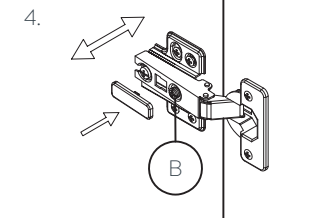
Fix the screws S1 into the predrilled hole shown above, and then adjust the door panel upward and downward to the right location.



Fix the rest 2 pcs screws S1 to the panel to consolidate the hinge shown above.



Loosen the screw A to adjust the forward and backward of the door panel to the right location, and then tighten the screw A.



Loosenthe screw B to adjust the leftward and rightward of the door panel to the right location, and finally cover the hinge with the cap.

**Complete:**

